

M-900iB/280L (Long arm)



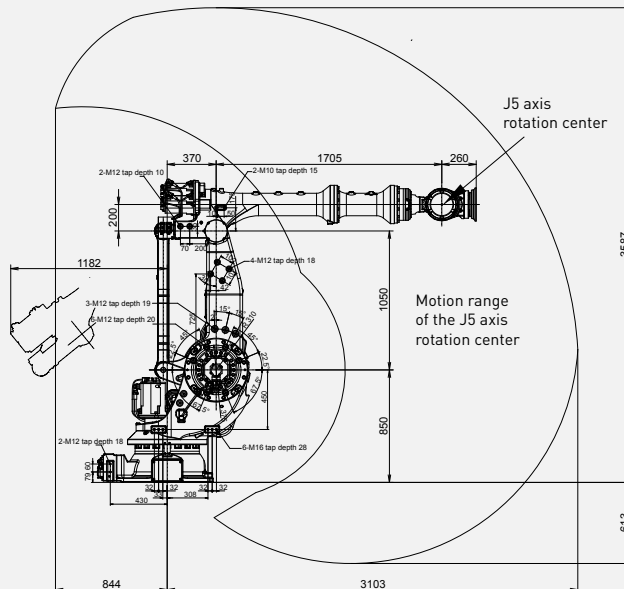
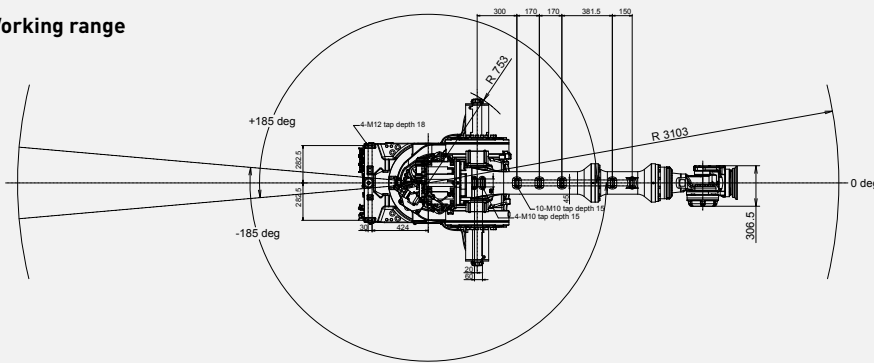
Max. load capacity
at wrist: **280 kg**



Max. reach:
3103 mm

Controlled axes	Repeatability (mm)	Mechanical weight (kg)	Motion range (°)						Maximum speed (°/s)						J4 Moment/ Inertia (Nm/kgm ²)	J5 Moment/ Inertia (Nm/kgm ²)	J6 Moment/ Inertia (Nm/kgm ²)
			J1	J2	J3	J4	J5	J6	J1	J2	J3	J4	J5	J6			
6	± 0.1*	1600	370	151	224	720	250	720	110	105	100	125	125	205	1700/215(340)	1700/215(340)	950/140(260)

Working range



Motion range may be restricted according to the mounting angle!

Robot

	M-900iB/280L
Robot footprint [mm]	830 X 610
Mounting position Floor	●
Mounting position Upside down	●
Mounting position Angle	●

Controller

	R-30iB Plus
Open air cabinet	-
Mate cabinet	-
A-cabinet	●
B-cabinet	○
iPendant Touch	●

Electrical connections

Voltage 50/60Hz 3phase [V]	380-575
Voltage 50/60Hz 1phase [V]	-
Average power consumption [kW]	3

Integrated services

Integrated signals on upper arm In/Out	8/8
Integrated air supply	2

Environment

Acoustic noise level [dB]	73.9
Ambient temperature [° C]	0-45

Protection

Body standard/optional	IP54/IP56
Wrist & J3 arm standard/optional	IP67

● standard ○ on request - not available () with hardware and/or software option

*Based on ISO9283