

M-10iA/10M (High inertia version)



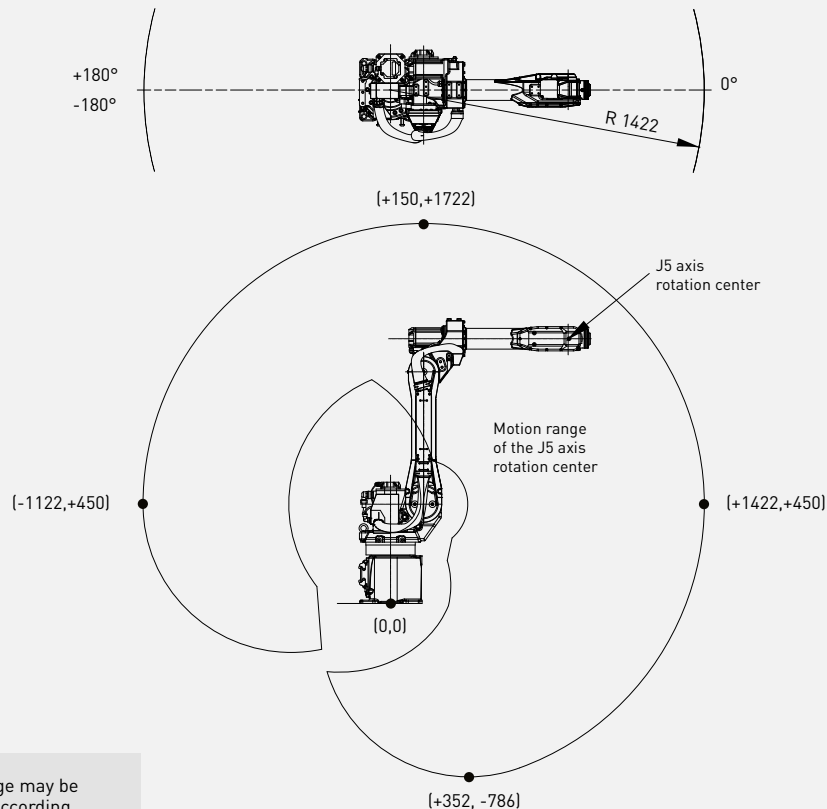
Max. load capacity
at wrist: **10 kg**



Max. reach:
1422 mm

Controlled axes	Repeatability (mm)	Mechanical weight (kg)	Motion range (°)						Maximum speed (°/s)						J4 Moment/ Inertia (Nm/kgm ²)	J5 Moment/ Inertia (Nm/kgm ²)	J6 Moment/ Inertia (Nm/kgm ²)
			J1	J2	J3	J4	J5	J6	J1	J2	J3	J4	J5	J6			
6	± 0.03*	130	340(360)	250	445	400	280	720	225	205	225	420	420	700	26.0/0.9	26.0/0.9	11.0/0.3

Working range



Motion range may be restricted according to the mounting angle!

Robot

Robot	M-10iA/10M
Robot footprint [mm]	283 x 283
Mounting position Floor	●
Mounting position Upside down	●
Mounting position Angle	●

Controller

Controller	R30iB
Open air cabinet	-
Mate cabinet	○
A-cabinet	●
B-cabinet	○
iPendant Touch	●

Electrical connections

Voltage 50/60Hz 3phase [V]	380-575
Voltage 50/60Hz 1phase [V]	-
Average power consumption [kW]	1

Integrated services

Integrated signals on upper arm In/Out	8/8
Integrated air supply	1

Environment

Acoustic noise level [dB]	< 70
Ambient temperature [° C]	0-45

Protection

Body standard/optional	IP54/IP55
Wrist & J3 arm standard/optional	IP67

● standard ○ on request - not available () with hardware and/or software option

*Based on ISO9283