

# CRX-10iA



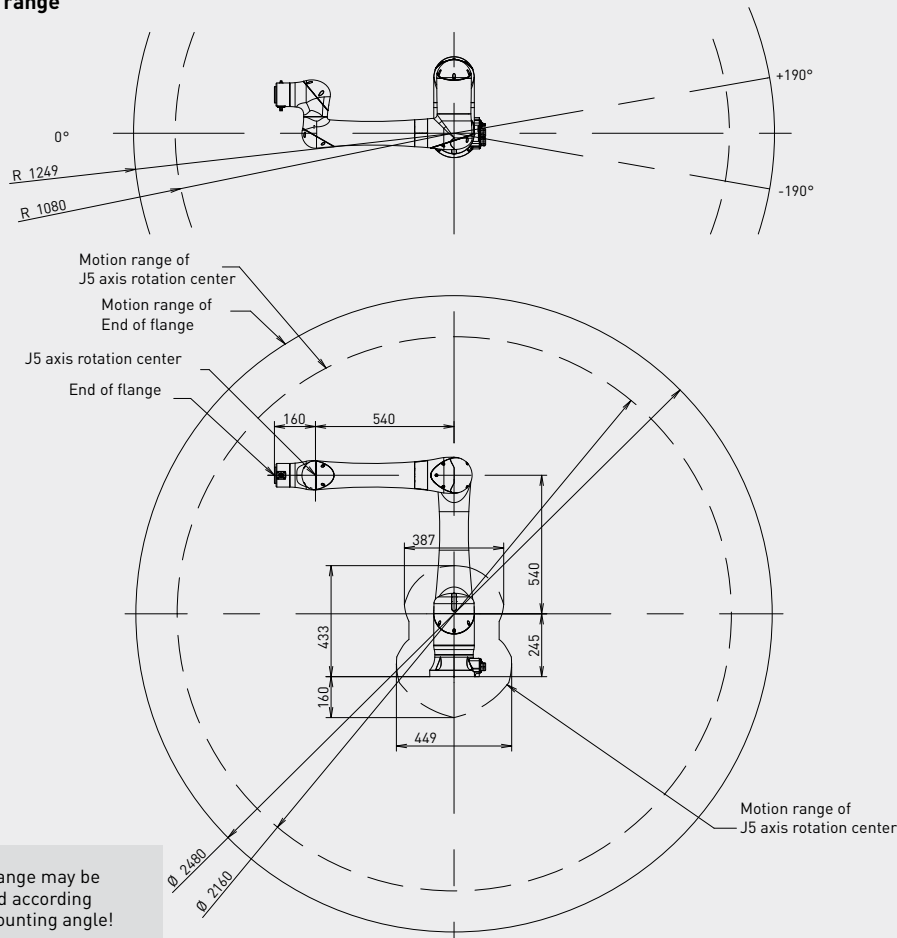
Max. load capacity  
at wrist: **10 kg**



Max. reach:  
**1249 mm**

Controlled axes	Repeatability (mm)	Mechanical weight (kg)	Motion range (°)						Maximum speed (°/s) *2						Maximum linear speed (mm/s)	J4 Moment/Inertia (Nm/kgm <sup>2</sup> )	J5 Moment/Inertia (Nm/kgm <sup>2</sup> )	J6 Moment/Inertia (Nm/kgm <sup>2</sup> )
			J1	J2	J3	J4	J5	J6	J1	J2	J3	J4	J5	J6				
6	± 0.04*	40	380	360	570	380	360	380	120	120	180	180	180	180	1000*1	34.8/1.28	26.0/0.90	11.0/0.30

## Working range



## Robot

Robot	CRX-10iA
Robot footprint [mm]	190
Mounting position Floor	●
Mounting position Upside down	●
Mounting position Angle *3	●



## Controller

Controller	R-30iB Plus
Mini Plus	●
Dimensions [mm]	410 x 277 x 370
Tablet TP	●

## Electrical connections

Voltage 50/60Hz 3phase [V]	-
Voltage 50/60Hz 1phase [V]	200-240
Average power consumption [kW]	0.3

## Integrated services

Integrated signals on upper arm In/Out	2/2 *4
Integrated air supply	-

## Environment

Acoustic noise level [dB]	<70
Ambient temperature [° C]	0-45
Ambient humidity [%]	≤ 75 *5
Ambient humidity - Short term [%RH]	≤ 95 *6
Vibration acceleration [m/s <sup>2</sup> ]	≤ 4.9 (0.5G)

## Protection

Body standard/optional	IP67
Wrist & J3 arm standard/optional	IP67

\*1) 2000mm/s in high speed mode

\*2) During short distance motions, the speed may not reach the maximum value stated.

\*3) In case of angle mount, motion range needs to be restricted according to the payload.

\*4) RS485 interface included

\*5) No dew nor frost allowed.

\*6) Within one month.

● standard ○ on request - not available ( ) with hardware and/or software option

\*Based on ISO9283