

CRX-10iA



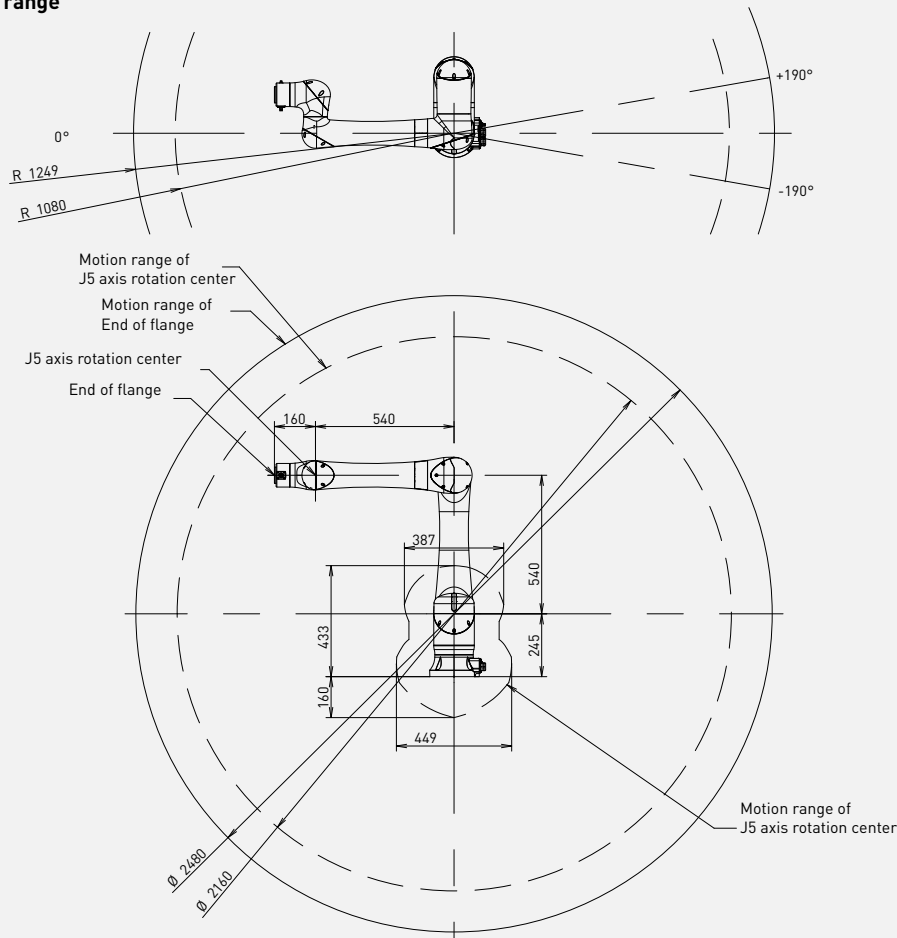
Max. load capacity
at wrist: **10 kg**



Max. reach:
1249 mm

| Controlled axes | Repeatability (mm) | Mechanical weight (kg) | Motion range (°) | | | | | | Maximum speed (°/s) *2 | | | | | | Maximum linear speed (mm/s) | J4 Moment/Inertia (Nm/kgm ²) | J5 Moment/Inertia (Nm/kgm ²) | J6 Moment/Inertia (Nm/kgm ²) |
|-----------------|--------------------|------------------------|------------------|-----|-----|-----|-----|-----|------------------------|-----|-----|-----|-----|-----|-----------------------------|--|--|--|
| | | | J1 | J2 | J3 | J4 | J5 | J6 | J1 | J2 | J3 | J4 | J5 | J6 | | | | |
| 6 | ± 0.04* | 40 | 380 | 360 | 570 | 380 | 360 | 450 | 120 | 120 | 180 | 180 | 180 | 180 | 1000*1 | 34.8/1.28 | 26.0/0.90 | 11.0/0.30 |

Working range



Robot

| Robot | CRX-10iA |
|-------------------------------|----------|
| Robot footprint [mm] | 190 |
| Mounting position Floor | ● |
| Mounting position Upside down | ● |
| Mounting position Angle | ● |



Controller

| Controller | R-30iB Plus |
|-----------------|-----------------|
| Mini Plus | ● |
| Dimensions [mm] | 410 x 277 x 370 |
| Tablet TP | ● |

Electrical connections

| | |
|--------------------------------|---------|
| Voltage 50/60Hz 3phase [V] | - |
| Voltage 50/60Hz 1phase [V] | 200-240 |
| Average power consumption [kW] | 0.3 |

Integrated services

| | |
|--|--------|
| Integrated signals on upper arm In/Out | 2/2 *3 |
| Integrated air supply | - |

Environment

| | |
|--|--------------|
| Acoustic noise level [dB] | <70 |
| Ambient temperature [° C] | 0-45 |
| Ambient humidity [%] | ≤ 75 *4 |
| Ambient humidity - Short term [%RH] | ≤ 95 *5 |
| Vibration acceleration [m/s ²] | ≤ 4.9 (0.5G) |

Protection

| | |
|----------------------------------|------|
| Body standard/optional | IP67 |
| Wrist & J3 arm standard/optional | IP67 |

*1) 2000mm/s in high speed mode.

*2) During short distance motions, the speed may not reach the maximum value stated

*3) RS485 interface included

*4) No dew nor frost allowed

*5) Within one month

● standard ○ on request - not available () with hardware and/or software option

*Based on IS09283