

CR-4iA



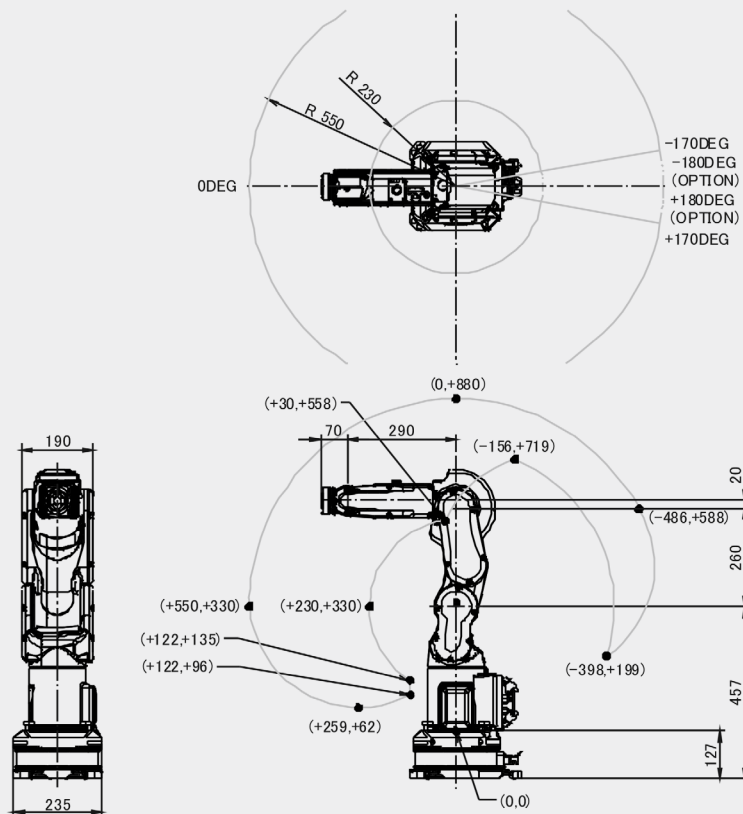
Max. load capacity
at wrist: **4 kg**



Max. reach:
550 mm

Controlled axes	Repeatability (mm)	Mechanical weight (kg)	Motion range (°)						Maximum speed (°/s)						J4 Moment/ Inertia (Nm/kgm ²)	J5 Moment/ Inertia (Nm/kgm ²)	J6 Moment/ Inertia (Nm/kgm ²)
			J1	J2	J3	J4	J5	J6	J1	J2	J3	J4	J5	J6			
6	± 0.01**	48	340	150	354	380	200	720	1000*2						8.86/0.2	8.86/0.2	4.9/0.067

Working range



Motion range may be restricted according to the mounting angle!

Robot

Robot	CR-4iA
Robot footprint [mm]	296.5 x 235
Mounting position Floor	●
Mounting position Upside down	●
Mounting position Wall*3	●

Controller

Controller	R-30iB Plus
Open air cabinet	○
Mate cabinet	●
A-cabinet	-
B-cabinet	-
iPendant Touch	●

Electrical connections

Voltage 50/60Hz 3phase [V]	-
Voltage 50/60Hz 1phase [V]	200-230
Average power consumption [kW]	0.5

Integrated services

Integrated signals on upper arm In/Out	6/2
Integrated air supply	●

Environment

Acoustic noise level [dB]	64.7
Ambient temperature [°C]	0-45

Protection

Body standard/optional	IP67
Wrist & J3 arm standard/optional	IP67

*1) In case of short distance motion, the speed may not reach the maximum value stated.

*2) It is necessary to set a motion speed according to risk assessment of system considering pinching with the surroundings.

*3) In case of the wall mount, the operation space will be restricted according with the payload.

● standard ○ on request - not available () with hardware and/or software option

**Based on ISO9283