

CRX-5iA



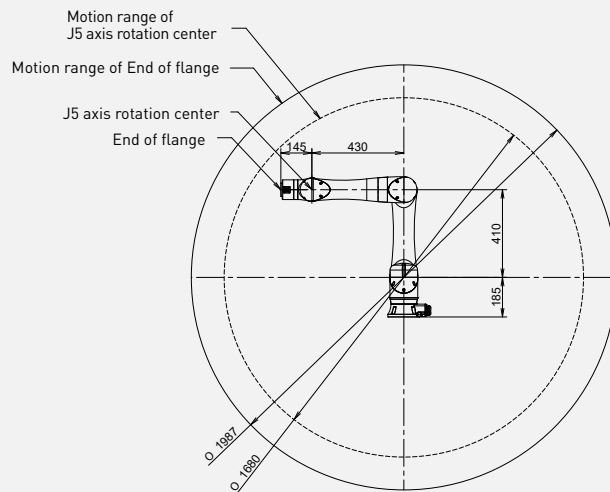
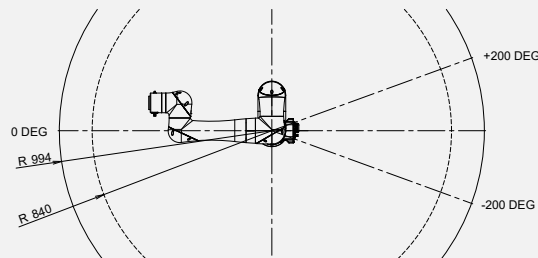
Max. load capacity
at wrist: **5 kg**



Max. reach:
994 mm

Controlled axes	Repeatability (mm)	Mechanical weight (kg)	Motion range (°)						Maximum speed (°/s) *2						Maximum linear speed (mm/s)	J4 Moment/Inertia (Nm/kgm ²)	J5 Moment/Inertia (Nm/kgm ²)	J6 Moment/Inertia (Nm/kgm ²)
			J1	J2	J3	J4	J5	J6	J1	J2	J3	J4	J5	J6				
6	± 0.03*	25	400	360	635	380	360	450	150	150	180	225	225	225	1000 *1)	19.0/0.77	15.4/0.50	6.7/0.10

Working range



Motion range may be restricted according to the mounting angle!

- *1) 2000mm/s in high speed mode
- *2) During short distance motions, the speed may not reach the maximum value stated
- *3) RS458 interface included *4) No dew nor frost allowed *5) Within one month
- *6) Not with food grade option *7) Food grade grease for all axes



Robot

Robot	CRX-5iA
Robot footprint [mm]	148
Mounting position Floor	●
Mounting position Upside down	●
Mounting position Angle	●



Controller

Controller	R-30iB Plus
Mini Plus	●
Dimensions [mm]	410 x 277 x 370
Tablet TP	●

Electrical connections

Voltage 50/60Hz 3phase [V]	-
Voltage 50/60Hz 1phase [V]	200-230
Average power consumption [kW]	0.3

Integrated services

Integrated signals on upper arm In/Out	2/2 *3
Integrated air supply	0

Environment

Acoustic noise level [dB]	<70
Ambient temperature [° C]	0-45
Ambient humidity [%]	≤ 75 *4
Ambient humidity - Short term [%RH]	≤ 95 *5
Vibration acceleration [m/s ²]	≤ 4.9 (0.5G)

Protection

Body standard/optional	IP67
Wrist & J3 arm standard/optional	IP67
Cleanroom class (ISO Class 4)	○*6

Food grade / mechanical options

Food grade grease	○*7
White epoxy paint	○

● standard ○ on request - not available () with hardware and/or software option

*Based on ISO9283