

# High-level hygiene standards team up with fast picking

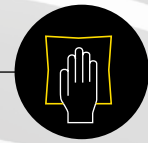
## DR-3iB/6 STAINLESS



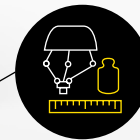
**ANGLE DESIGN**  
outer surface allows  
liquid to flow away



**FAST CYCLE TIME**  
for pick & place,  
packaging and material  
handling applications



**STAINLESS STEEL**  
smooth surface  
(supports IP69K)



**6 KG PAYLOAD &  
1200 MM REACH**  
for a wider range  
of applications



### Mirror finishing



- Ideally suited for food, pharmaceuticals and cosmetics applications
- Stainless steel outer surface for excellent corrosion resistance, cleaning and hygiene requirements
- Optimised, smooth surfaces and fluoro-rubber gaskets to prevent dirt and bacteria accumulation
- The robot supports IP69K to withstand daily cleaning (including high-pressure cleaning)
- Intelligent functions like *iR*Vision or *iR*PickTool are supported
- Also available with a mirror finishing, ideal for primary food handling applications for the American market

# DR-3iB/6 STAINLESS

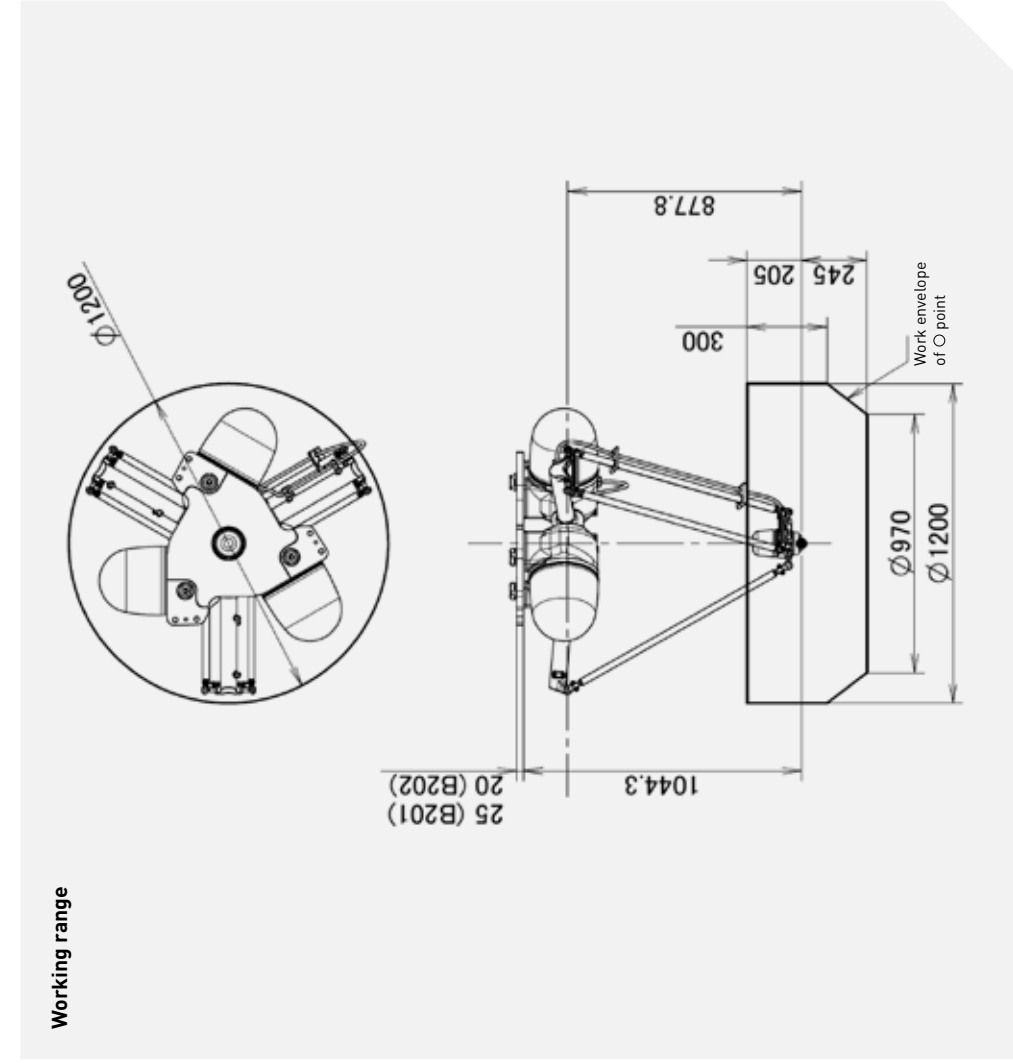


Max. load capacity  
at wrist: **6 kg**



Max. reach:  
**1200 mm**

Controlled axes	Repeatability (mm)	Mechanical weight (kg)	Motion range [°]						Maximum speed [°/s]						J4 Moment/Inertia (Nm/kgm <sup>2</sup> )	J5 Moment/Inertia (Nm/kgm <sup>2</sup> )	J6 Moment/Inertia (Nm/kgm <sup>2</sup> )	
			J1	J2	J3	J4	J5	J6	E1	J1	J2	J3	J4	J5				J6
4	± 0.03**	250	∅ 1200 x 450*1			720	-	-	-	-	-	1714	-	-	-	0.025 (0.06)*2	*3	*3



**Robot**  
 Robot footprint [mm] ..... ∅ 760  
 Mounting position Floor  
 Mounting position Upside down  
 Mounting position Angle

**Controller**  
 Open air cabinet  
 Mate cabinet  
 A-cabinet  
 B-cabinet  
 iPendant Touch

**Electrical connections**  
 Voltage 50/60Hz 3phase [V] ..... 380-575  
 Voltage 50/60Hz 1phase [V] .....  
 Average power consumption [kW] ..... 2.5

**Integrated services**  
 Integrated signals on upper arm In/Out  
 Integrated air supply

**Environment**  
 Acoustic noise level [dB] ..... <70  
 Ambient temperature [°C] ..... 0-45

**Protection**  
 Body standard/optional  
 Wrist & J3 arm standard/optional

**DR-3iB/6 STAINLESS**  
 R-30iB Plus  
 IP69K  
 IP69K

\*\* Based on ISO9283 \*1) ∅ in mm by height in mm \*2) with high inertia option \*3) refer to the wrist load diagram \*4) at separate cable connection box  
 ● standard ○ on request - not available ( ) with hardware and/or software option