

# FANUC

## Maximum precision and outstanding path accuracy



**HIGH RIGIDITY**  
robust construction to increase precision



**60 KG PAYLOAD**  
perfect for additional toolings



**HIGH ACCURACY**  
ideally suited for high accuracy path applications like 3-D Laser Cutting



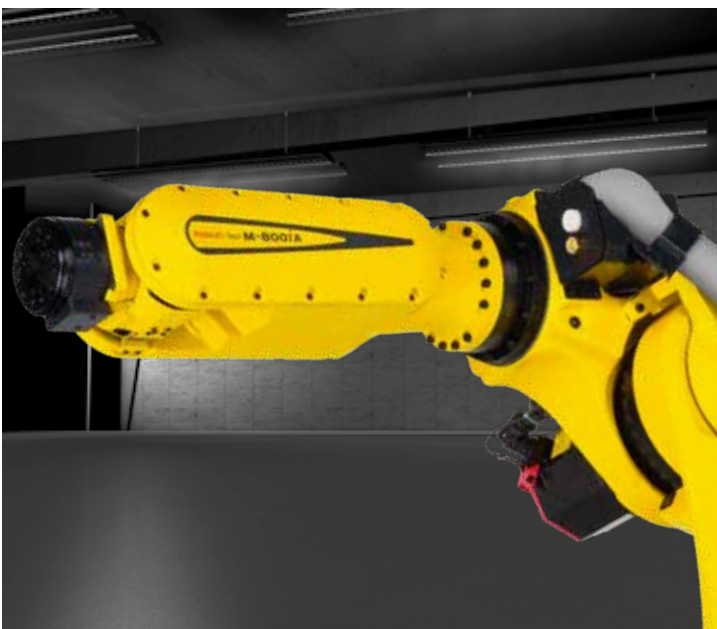
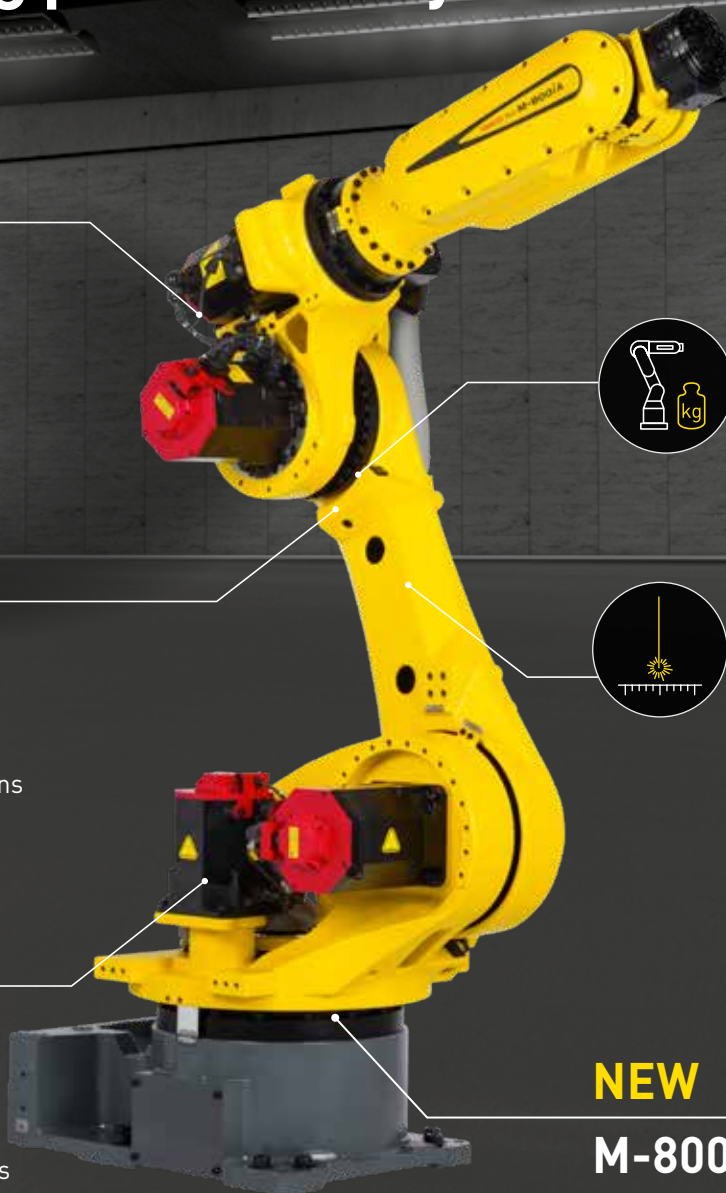
**iR CALIBRATION SIGNATURE**  
for absolute accuracy included as standard



**HIGH PERFORMANCE**  
fast and accurate motion in narrow corners

**NEW**

**M-800iA/60**



### Next level accuracy

- High performance at high speed motion in narrow corners
- Excellent results in linear and circular path accuracy
- Ideal solution for laser processing with a high demand on accuracy
- iR Calibration Signature as standard feature
- Rigid design for better resistance against deflection

[WWW.FANUC.EU](http://WWW.FANUC.EU)

# M-800iA/60



Max. load capacity  
at wrist: **60 kg**



Max. reach:  
**2040 mm**

Controlled axes	Repeatability (mm)	Mechanical weight (kg)	Motion range [°]						Maximum speed [°/s]						J6 Moment/Inertia (Nm/kgm <sup>2</sup> )		
			J1	J2	J3	J4	J5	J6	J1	J2	J3	J4	J5	J6			
6	± 0.03*	820	370	225	340	720	720	250	720	150	150	260	260	400	210/30	210/30	130/20

## Robot

- Robot footprint [mm] ..... 515 x 505
- Mounting position Floor ..... ●
- Mounting position Upside down ..... -
- Mounting position Angle ..... -

## Controller

- Open air cabinet ..... -
- Mate cabinet ..... -
- A-cabinet ..... ●
- B-cabinet ..... ○
- iPendant Touch ..... ●

## Electrical connections

- Voltage 50/60Hz 3phase [V] ..... 380-575
- Voltage 50/60Hz 1phase [V] ..... -
- Average power consumption [kW] ..... -

## Integrated services

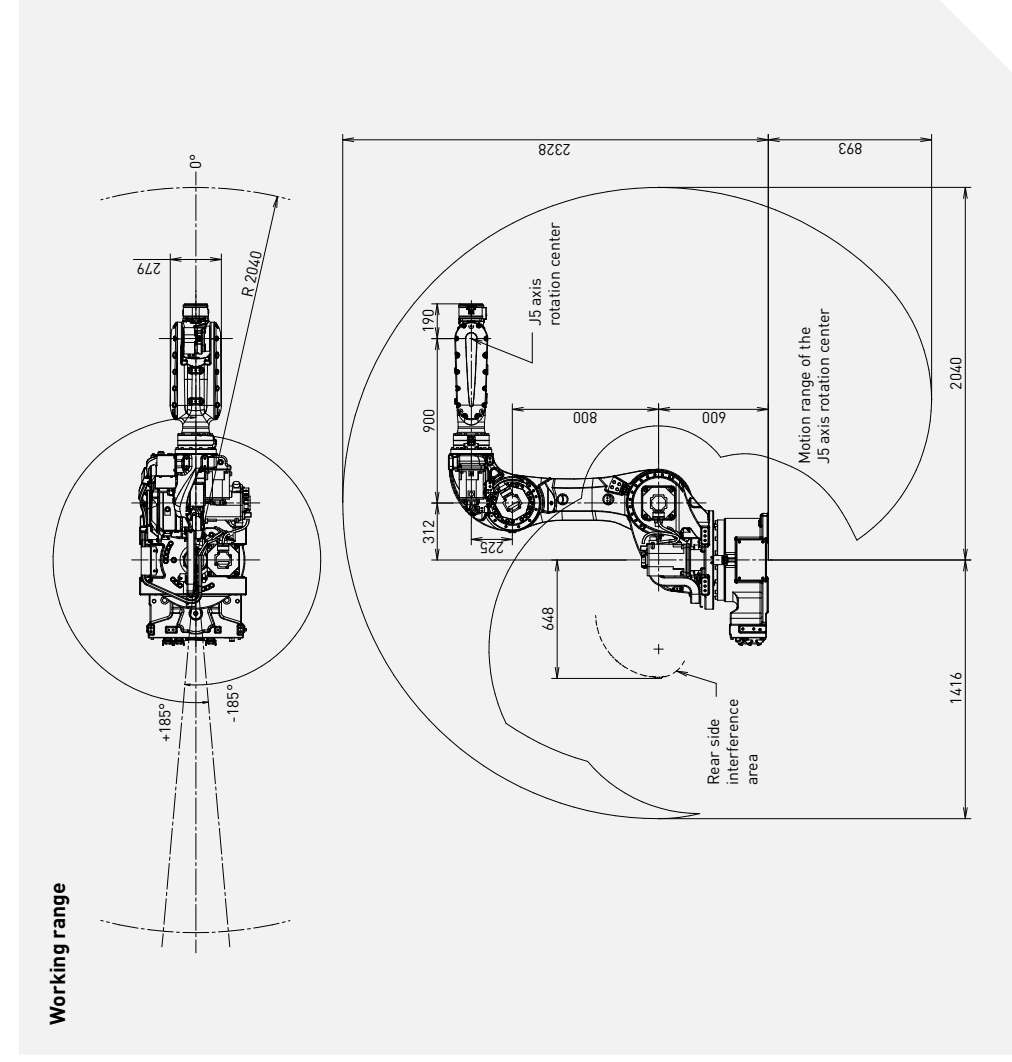
- Integrated signals on upper arm In/Out ..... 8/8
- Integrated air supply ..... 1

## Environment

- Acoustic noise level [dB] ..... 70
- Ambient temperature [° C] ..... 0-45

## Protection

- Body standard/optional ..... IP54
- Wrist & J3 arm standard/optional ..... IP54



● standard ○ on request - not available ( ) with hardware and/or software option