

A great colleague to work hand in hand with

Small, slim & strong.



Fast return
on investment



Easy programming
thanks to hand guidance
for teaching and handling



Space-saving installation
due to slim profile



Stop at contact
for a safe human-robot
collaboration



911mm reach
for maximum utilisation
of working areas



14 kg payload for a
variety of applications



Equipped with a wide reach and slim profile, the collaborative robot CR-14iA/L can be used in narrow space applications as well as in applications calling for heavier payloads. Safety-certified, all-round protection eliminates the need for safety fences. **Combining FANUC proven technology, high reliability and a standard interface for quick setups, this industrial robot can be used for instance to load and unload machines.**

CR-14iA/L



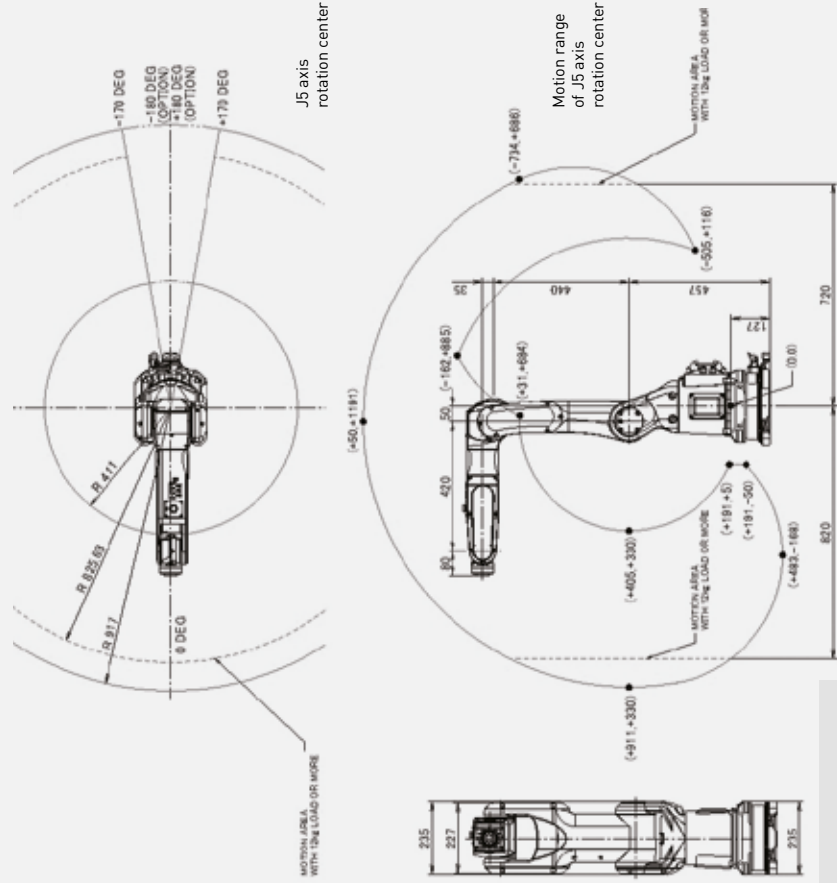
Max. load capacity at wrist: **14 kg**



Max. reach: **911mm *1**

Controlled axes	Repeatability (mm)	Mechanical weight (kg)	Motion range [°]						Maximum speed (mm/s)	J4 Moment/Inertia (Nm/kgm ²)	J5 Moment/Inertia (Nm/kgm ²)	J6 Moment/Inertia (Nm/kgm ²)
			J1	J2	J3	J4	J5	J6				
6	± 0.01*	55	340 360 (option)	166	383	380	240	720	500*2	31.0/0.66	31.0/0.66	13.4/0.30

Working range



Motion range may be restricted according to the mounting angle!

Robot

Robot footprint [mm]	CR-14iA/L 296.5 x 235
Mounting position Floor	•
Mounting position Upside down	•
Mounting position Wall *3	•

Controller

Open air cabinet	R-30iB Plus -
Mate cabinet	•
A-cabinet	-
B-cabinet	-
iPendant Touch	•

Electrical connections

Voltage 50/60Hz 3phase [V]	-
Voltage 50/60Hz 1phase [V]	200-230*3
Average power consumption [kW]	0.5

Integrated services

Integrated signals on upper arm In/Out	6/2
Integrated air supply	1

Environment

Acoustic noise level [dB]	64.7
Ambient temperature [° C]	0-45

Protection

Body standard/optional	IP67
Wrist & J3 arm standard/optional	IP67

*1) 911 mm (load capacity <12kg) - 820 mm (load capacity >12kg)

*2) max. cartesian speed 500mm/s. During short distance motions, the speed may not reach the maximum value stated

*3) NRTL type is not supported yet

• standard ◦ on request - not available | with hardware and/or software option

*Based on ISO9283