

FANUC

Speed, accuracy and maximum access



25 KG PAYLOAD
perfect for additional tooling



LARGE HOLLOW WRIST
and hollow arm



SLIM AND CURVED J2 ARM
to minimise interference



SMOOTH SURFACES
to minimise dust and dirt collection



FULLY INTEGRATED WELDING HOSEPACK
and cable management

NEW

ARC Mate 120iD



Next level precision and productivity

- high rigidity for excellent repeatability
- slim, articulated design to weld in narrow machine tools and jigs
- smooth surfaces and recessed bolts to prevent dirt build up
- 57 mm diameter hollow arm for maximum snag-free access
- intelligent FANUC Zero Downtime software for accurate maintenance scheduling and less downtime

ARC Mate 120iD (Hollow wrist)

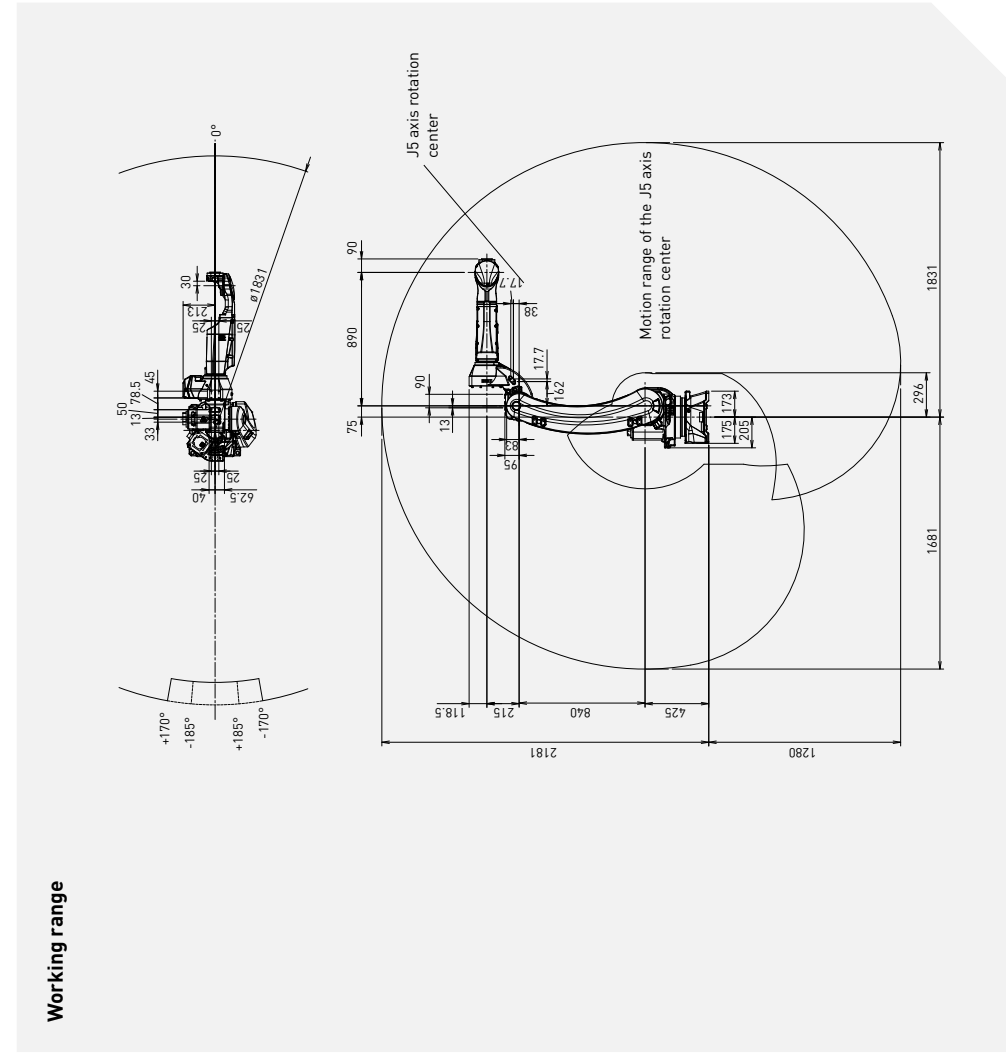


Max. load capacity
at wrist: **25 kg**



Max. reach:
1831 mm

Controlled axes	Repeatability (mm)	Mechanical weight (kg)	Motion range [°]						Maximum speed [%/s]						J4 Moment/Inertia (Nm/kgm ²)	J5 Moment/Inertia (Nm/kgm ²)	J6 Moment/Inertia (Nm/kgm ²)	
			J1	J2	J3	J4	J5	J6	J1	J2	J3	J4	J5	J6				
6	± 0.02*	250	340 [370]	260	458	400	280 [360]	540 [900]	210	210	265	420	420	420	720	52.0/2.4	52.0/2.4	32.0/1.2



Robot

- Robot footprint [mm] 343 x 343
- Mounting position Floor
- Mounting position Upside down
- Mounting position Angle

Controller

- Open air cabinet
- Mate cabinet
- A-cabinet
- B-cabinet
- Pendant Touch

Electrical connections

- Voltage 50/60Hz 3phase [V] 380-575
- Voltage 50/60Hz 1phase [V] -
- Average power consumption [kW] 1

Integrated services

- Integrated signals on upper arm In/Out 1/1
- Integrated air supply 1

Environment

- Acoustic noise level [dB] < 70
- Ambient temperature [° C] 0-45

Protection

- Body standard/optional IP54
- Wrist & J3 arm standard/optional IP67

• standard o on request - not available () with hardware and/or software option *Based on ISO283