

FANUC

Ultimate reach, fast precision handling



LONG ARM

for longer reach to work on bigger workpieces and cover a wider area



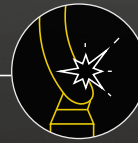
LARGE HOLLOW WRIST
and hollow arm



FULLY INTEGRATED CABLE MANAGEMENT
to eliminate interference



SLIM AND CURVED J2 ARM
to minimise interference



SMOOTH SURFACES
to minimise dust
and dirt collection

NEW

M-10iD/10L



Fast accurate handling for maximum productivity

- high productivity and precision thanks to higher rigidity
- compact and fully articulated to reach narrow spaces in machine tools or jigs
- ideal solution for compact production line installations
- easy installation and seamless fully integrated cable routing to eliminate interference from peripherals and work cell equipment
- intelligent maintenance schedule with FANUC Zero Downtime function that predicts mechanical and process equipment status

M-10iD/10L (Hollow wrist)

Max. load capacity
at wrist: **10 kg**

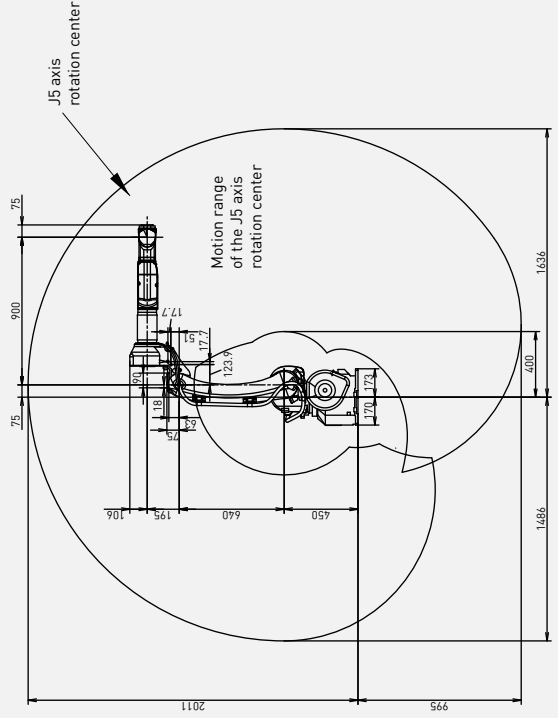
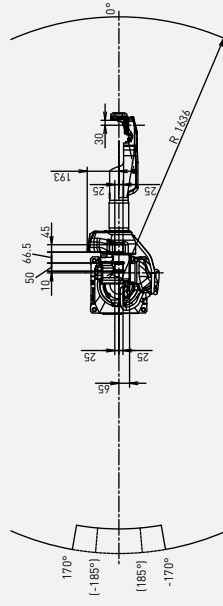


Max. reach:
1636 mm

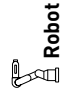


Controlled axes	Repeatability (mm)	Mechanical weight (kg)	Motion range [°]						Maximum speed [°/s]						J4 Moment/Inertia (Nm/kgm ²)	J5 Moment/Inertia (Nm/kgm ²)	J6 Moment/Inertia (Nm/kgm ²)
			J1	J2	J3	J4	J5	J6	J1	J2	J3	J4	J5	J6			
6	± 0.03*	150	340 (370)	235	455	380	360	900	260	240	260	430	450	720	22.0/0.65	22.0/0.65	9.8/0.17

Working range



Motion range may be restricted according to the mounting angle!



Robot

- Robot footprint [mm] 343 x 343
- Mounting position Floor ●
- Mounting position Upside down ●
- Mounting position Angle ●



Controller

- Open air cabinet -
- Mate cabinet ○
- A-cabinet ●
- B-cabinet ○
- iPendant Touch ●

Electrical connections

- Voltage 50/60Hz 3phase [V] 380-575
- Voltage 50/60Hz 1phase [V] -
- Average power consumption [kW] 1

Integrated services

- Integrated signals on upper arm In/Out 8/8
- Integrated air supply 1

Environment

- Acoustic noise level [dB] < 70
- Ambient temperature [°C] 0-45

Protection

- Body standard/optional IP54 /IP55
- Wrist & J3 arm standard/optional IP67