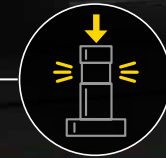


# FANUC

## Ultra-compact, fast and accurate

### NEW SCARA ROBOT SR-6iA

**BRAKE RELEASE SWITCH**  
ALLOWS EASY  
ERROR RECOVERY



**STRONG ARM**  
6 KG MAX PAYLOAD



**FANUC** Robot SR-6iA



**INTEGRATED SERVICES**  
I/O, 24VDC, SOLENOID VALVES  
AND AIR LINES PREVENT  
INTERFERENCE CONTOURS

**LIGHTWEIGHT DESIGN**  
ULTRACOMPACT FOOTPRINT AND ROBOT  
DESIGN MINIMISE INTERFERENCE  
WITH PERIPHERAL DEVICES



### Next level of FANUC small robot line-up

- ultra-compact footprint and robot design minimises interference with peripheral devices
- highly suitable for assembly, packaging and material handling operations
- new R-30iB Compact Plus controller with minimum space requirements
- web based user interface (iRProgrammer) for intuitive and ease-of-use programming via tablet or PC (no iPendant Touch required)
- payload capacity of 6 kg - horizontal reach: 650 mm - vertical reach: 210 mm
- integrated services e.g. I/O, 24VDC, solenoid valves and air lines in the arm simplify integration and reduce costs
- bottom cable exit and wall mounting equipment optional available

# SR-6iA

Max. load capacity  
at wrist: **6kg**



Max. reach:  
**650 mm**



Controlled axes	Repeatability (mm)	Mechanical weight (kg)	Motion range (°)						Maximum speed (°/s)						Inertia (kgm <sup>2</sup> )	Inertia (kgm <sup>2</sup> )	Inertia (kgm <sup>2</sup> )
			J1	J2	J3	J4	J5	J6	J1	J2	J3	J4	J5	J6			
4	±0.01 [J1, J2, J3] ±0.004 [J4]	30	296	300	210mm	720	-	-	440	700	2000 mm/Sec	2500	-	-	0.12	-	-

## Robot

- Robot footprint [mm] 180 x 258 (399)
- Mounting position Floor ●
- Mounting position Upside down -
- Mounting position Angle -
- Mounting position Wall ○

## Controller

- Compact Plus ●
- Open air cabinet -
- Mate cabinet -
- A-cabinet -
- B-cabinet -
- iPendant Touch -

## Electrical connections

- Voltage 50/60Hz 3phase [V] -
- Voltage 50/60Hz 1phase [V] 200-230
- Average power consumption [kW] 0.2

## Integrated services

- Integrated signals on upper arm In/Out 4/4
- Integrated air supply 3
- Integrated solenoid valve 2

## Environment

- Acoustic noise level [dB] <70
- Ambient temperature [°C] 0-45

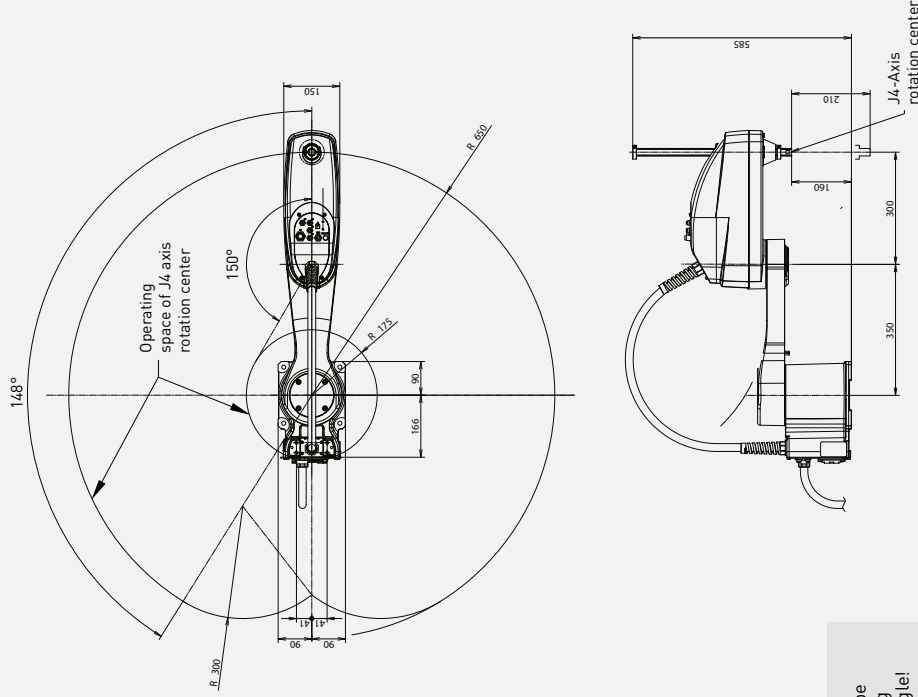
## Protection

- Body standard/optional IP20
- Wrist & J3 arm standard/optional IP20

## Auxiliary

- Max. push-down force (Newton) 200

## Working range



Motion range may be restricted according to the mounting angle!

● standard ○ on request - not available ( ) with hardware and/or software option