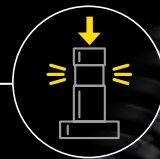


FANUC

Ultra-compact, fast and accurate



STRONG ARM
3 KG MAX PAYLOAD



BRAKE RELEASE SWITCH
ALLOWS EASY ERROR RECOVERY

NEW SCARA ROBOT
SR-3iA



INTEGRATED SERVICES
I/O, 24VDC, SOLENOID VAL-
VES AND AIR LINES PREVENT
INTERFERENCE CONTOURS



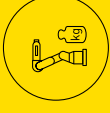
LIGHTWEIGHT DESIGN
ULTRACOMPACT FOOTPRINT AND ROBOT
DESIGN MINIMISE INTERFERENCE
WITH PERIPHERAL DEVICES



Next level of FANUC small robot line-up

- ultra-compact footprint and robot design minimises interference with peripheral devices
- highly suitable for assembly, packaging and material handling operations
- new R-30iB Compact Plus controller with minimum space requirements
- web based user interface (iRProgrammer) for intuitive and ease-of-use programming via tablet or PC (no iPendant Touch required)
- payload capacity of 3 kg - horizontal reach: 400 mm - vertical reach: 200 mm
- integrated services e.g. I/O, 24VDC, solenoid valves and air lines in the arm simplify integration and reduce costs
- bottom cable exit and wall mounting equipment optional available

SR-3iA



Max. load capacity
at wrist: **3Kg**



Max. reach:
400 mm

Controlled axes	Repeatability (mm)	Mechanical weight (kg)	Motion range [°]						Maximum speed [%/s]						Inertia (kgm ²)	Inertia (kgm ²)	Inertia (kgm ²)
			J1	J2	J3	J4	J5	J6	J1	J2	J3	J4	J5	J6			
4	±0.01 (J1,J2, J3) ± 0.004 (J4)	19	284	290	200mm	720	-	-	720	780	1800 mm/sec	3000	-	-	0.06	-	-



Robot

Robot footprint [mm]	SR-3iA
Mounting position	140 x 202 [34.1]
Mounting position Upside down	●
Mounting position Angle	-
Mounting position Wall	○

Controller

Compact Plus	●
Open air cabinet	-
Mate cabinet	-
A-cabinet	-
B-cabinet	-
Pendant Touch	-

Electrical connections

Voltage 50/60Hz 3phase [V]	-
Voltage 50/60Hz 1phase [V]	200-230
Average power consumption [kW]	0.2

Integrated services

Integrated signals on upper arm In/Out	4/4
Integrated air supply	3
Integrated solenoid valve	2

Environment

Acoustic noise level [dB]	<70
Ambient temperature [° C]	0-45

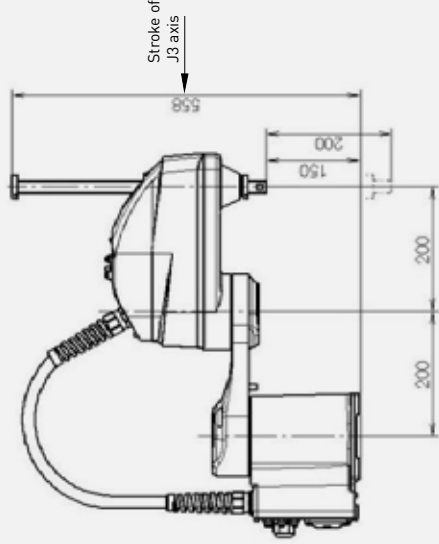
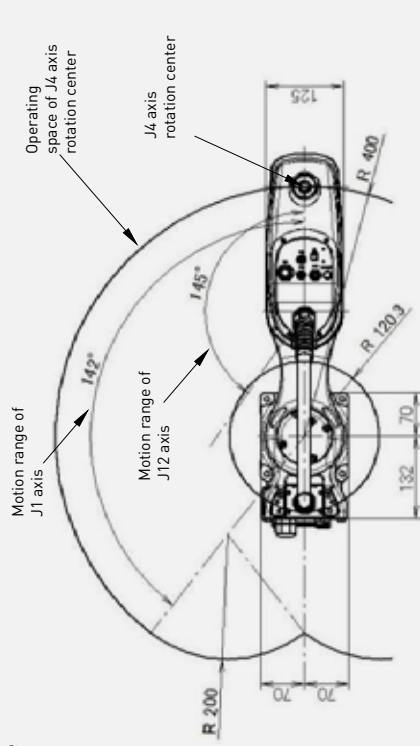
Protection

Body standard/optional	IP20
Wrist & J3 arm standard/optional	IP20

Auxiliary

Max. push-down force (Newton)	150
-------------------------------	-----

Working range



Motion range may be restricted according to the mounting angle!

● standard ○ on request - not available () with hardware and/or software option