

# FANUC

## NEW M-20iB/25C Fast, clean and fully enclosed



**SLIM ARM**  
FOR MORE FLEXIBILITY



**USER INTERFACE**  
INTEGRATED IN THE ARM



**APT TO BE WASHED**  
(IP67)



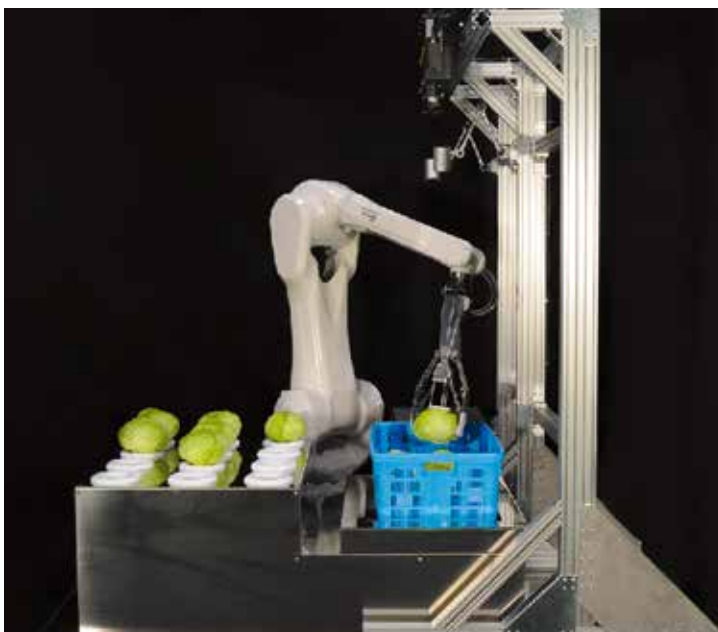
**ENCLOSED CONSTRUCTION**  
NO EXPOSED CABLES  
OR MOTORS



**Fraunhofer**

**TESTED®  
DEVICE**

FANUC Europe Corporation S.A.  
M-20iB/25C  
Report No. FA 1705-911



### Flexibility whatever the environment:

- 25 kg payload capacity
- fully enclosed
- IP67 protection
- equipped with food grade lubricant by default (J1-J6)
- resistant against cleaning agents
- clean room class ISO 5
- wrist with advanced servo technology
- increased cycles and throughput

[WWW.FANUC.EU](http://WWW.FANUC.EU)

# M-20iB/25C



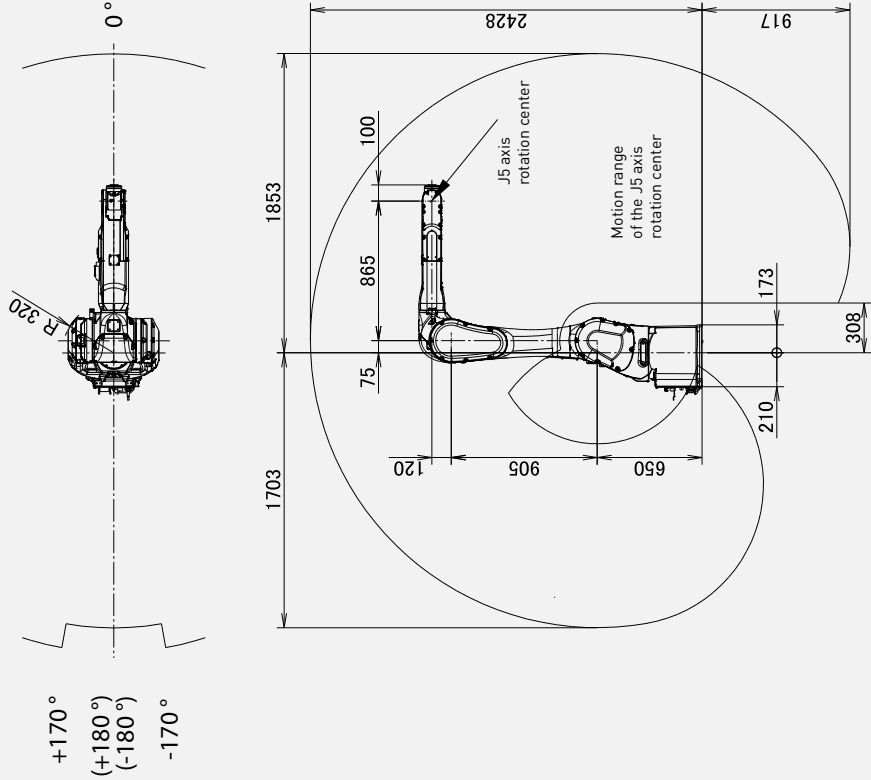
Max. load capacity  
at wrist: **25 kg**



Max. reach:  
**1853 mm**

Controlled axes	Pose Repeatability (mm)	Mechanical weight (kg)	Motion range [°]						Maximum speed [°/s]						J4 Moment/Inertia (Nm/kgm <sup>2</sup> )	J5 Moment/Inertia (Nm/kgm <sup>2</sup> )	J6 Moment/Inertia (Nm/kgm <sup>2</sup> )
			J1	J2	J3	J4	J5	J6	J1	J2	J3	J4	J5	J6			
6	± 0.023*	210	340(360)	240	303	400	290	540	205	205	260	415	415	880	51/2.2	51/2.2	31/1.2

## Working range



## Robot

- Robot footprint [mm] **M-20iB/25C**  
383 x 343
- Mounting position Floor
- Mounting position Upside down
- Mounting position Angle

## Controller

- Open air cabinet
- Mate cabinet
- A-cabinet
- B-cabinet
- iPendant Touch

## Electrical connections

- Voltage 50/60Hz 3phase [V] 380-575
- Voltage 50/60Hz 1phase [V] -
- Average power consumption [kW] 1

## Integrated services

- Integrated signals on upper arm In/Out 8/2
- Integrated air supply 1

## Environment

- Acoustic noise level [dB] < 70
- Ambient temperature [°C] 0-45

## Protection

- Body standard/optional IP67
- Wrist & J3 arm standard/optional IP67

## Air Cleanliness Class

- Clean room class in accordance to ISO 14644-1 ISO class 5