

FANUC

Extremely flexible, slim and lightweight

NEW Paint Robot P-40iA



PURGED AND PRESSURISED ARM
FM AND ATEX CLASS DIV. 1 APPROVAL



FOUR PROCESS AIR PORTS



IP 67 COMPATIBLE



ENCLOSED RISER
FOR CABLE CONNECTIONS
AND PURGE FLOW SWITCH



360 DEGREES ROTATION OF J1
ENABLES MULTI-DIRECTIONS OPERATION



Flexible painter even in smallest work space

- compact arm design fits in small work areas
- offers a 1300mm reach and 5kg payload
- purged and pressurised arm is FM and ATEX Class Div. 1 approved
- enclosed riser for cable connections and purge flow switch
- high-speed operation minimises robot cycle times
- upright, invert, angle or wall mounting accommodates a wide range of work areas
- 360 degrees rotation of J1 enables multi-directions operation
- IP67 compatible rating allows operation in factory environments with dust and oil mist

WWW.FANUC.EU

P-40iA

Max. load capacity
at wrist: **5 kg**

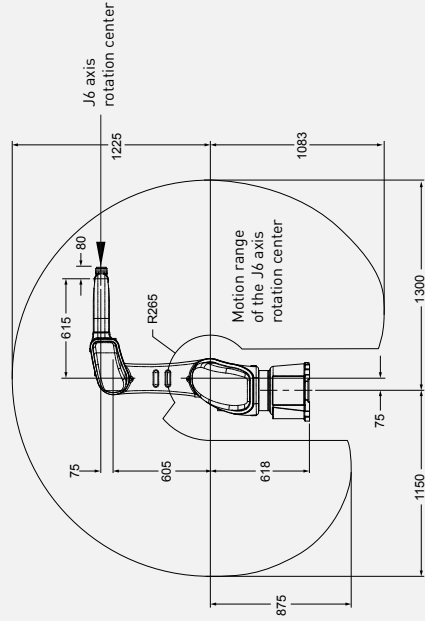
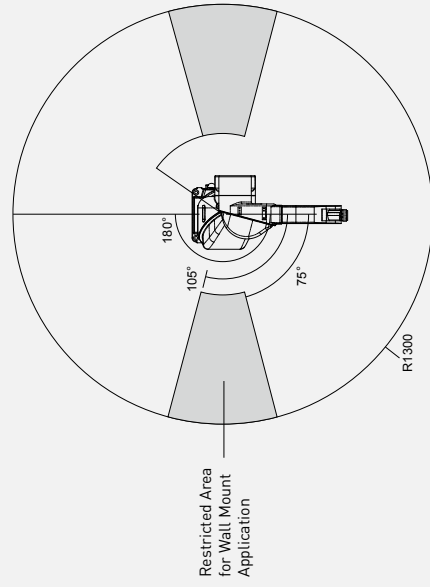


Max. reach:
1300 mm



Controlled axes	Repeatability (mm)	Mechanical weight (kg)	Motion range [°]						Maximum speed [°/s]						J4 Moment/Inertia (Nm/kgm ²)	J5 Moment/Inertia (Nm/kgm ²)	J6 Moment/Inertia (Nm/kgm ²)
			J1	J2	J3	J4	J5	J6	J1	J2	J3	J4	J5	J6			
6	±0.03	110	360	255	395	380	240	720	190	240	450	450	720	11.9/0.3	11.9/0.3	6.7/0.1	

Working range



Motion range may be restricted for angle and wall mount!



Robot

- Robot footprint [mm] 340 x 355
- Mounting position Floor ●
- Mounting position Invert ●
- Mounting position Wall ●
- Mounting position Angle ●



Controller

- Open air cabinet -
- Mate cabinet ●
- A-cabinet -
- B-cabinet -
- iPendant ●
- ISTP option -

Electrical connections

- Voltage 50/60Hz 3phase [V] 200-230
- Voltage 50/60Hz 1phase [V] -
- Average power consumption [kW] 0.8

Integrated services

- Integrated signals on upper arm In/Out -
- Integrated air supply -

Environment

- Acoustic noise level [dB] -
- Ambient temperature [°C] 0-45

Protection

- Hazardous location certification *5

*5) ATEX certified Cat. II Group 2G and 2D
● standard ○ on request - not available () with hardware and/or software option