

THE FACTORY AUTOMATION COMPANY

**FANUC**

# New ROBOCUT $\alpha$ -C800iB

Fast, accurate, multipurpose EDM  
with rigid 800 mm table for even more versatility

**FASTER  
POSITIONING**



**MULTI-WORKPIECE  
CUTTING**



**MACHINE PARTS  
OF UP TO  
1250 x 975 x 300 mm**



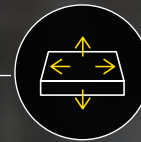
**MACHINE PARTS  
OF UP TO 3t**



**EASY-TO-SET  
CORE STITCH FUNCTION**



**SMALLEST FOOTPRINT  
AND LOWEST HEIGHT  
IN ITS CLASS**



## Designed for ultimate performance

- latest CNC and servomotor technology
- generator designed for maximum reliability
- capable of cutting thick, stepped and tapered parts
- multi-workpiece cutting
- easy-to-use CORE STITCH Function for even longer unmanned machining
- wire threading in just 10 seconds
- automatic in-path wire re-threading
- accurate twin servo wire tension control

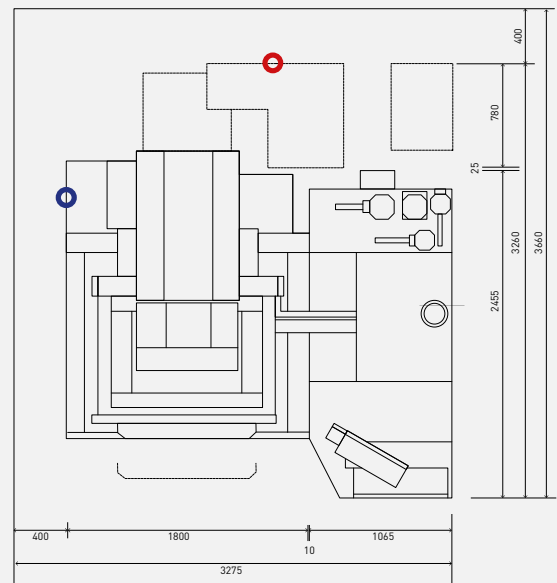
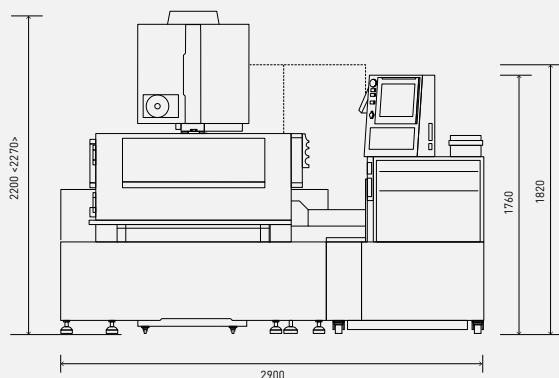
# ROBOCUT $\alpha$ -C800iB Technical Data



Standard	
Maximum workpiece dimensions [mm]	1250 x 975 x 300
Maximum workpiece weight [kg]	3000
XY axis table travel [mm]	800 x 600
Z axis travel [mm]	310
UV axis travel [mm]	200 x 200
Maximum taper angle [°/mm]	±30°/150
Minimum step increment of the drives [mm]	0,0001
Wire diameter [mm]	Ø 0.10 ~ Ø 0.30
Maximum wire weight [kg]	16
Footprint (W/D) [mm]	2900 x 3260
Machine weight (approx.) [kg]	4200
Controller	FANUC 31i-WB
Part program storage size [MB]	4
Optional	
Z axis 500	
Z axis travel [mm]	510
Maximum workpiece dimensions with automatic door, option Z axis travel [mm]	1250 x 975 x 500
Footprint [mm]	3300 x 3260
45° die guide	
Maximum taper angle [° / mm]	±45°/70
30 kg wire feed unit	
Maximum wire weight [kg]	30

## Outer Dimensions | Floor Plan

- Power input position
  - Compressed air input position
- \* The values in parentheses < > are when the safety cover is open.



\*] The above floor plan is that of a standard type machine. Contact FANUC if you wish to order options such as 30 kg wire feed unit.