

THE FACTORY AUTOMATION COMPANY

**FANUC**

# The cleanroom and food applications specialist

## SR-12iA/C



**ISO CLASS 5**  
rated for cleanroom operation



**RATED IP65**  
featuring white epoxy coating



**INTEGRATED SERVICES**  
I/O, 24VDC, solenoid valves and air lines standard on board



**STRONG ARM**  
12 kg max payload, 900 mm reach



### Next level accuracy for cleanroom applications

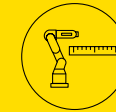
- rated ISO Class 5 for cleanroom operation
- NSF-H1 food-grade grease and anti-rust bolts
- equipped of a bellow to protect the spindle during cleaning
- white epoxy coating and IP65 for protection against limited amounts of dust and other particles as well as water spray
- ideal for tray food and cleanroom applications requiring cleaning
- ultra-compact design minimizes interference with peripherals
- web based user interface (iRProgrammer) for intuitive programming via tablet or PC (no iPendant Touch required)
- integrated services e.g. I/O, 24VDC, solenoid valves and air lines in the arm reduce costs and simplify integration
- fast cycle time thanks to high-speed motion

[WWW.FANUC.EU](http://WWW.FANUC.EU)

# SR-12iA/C



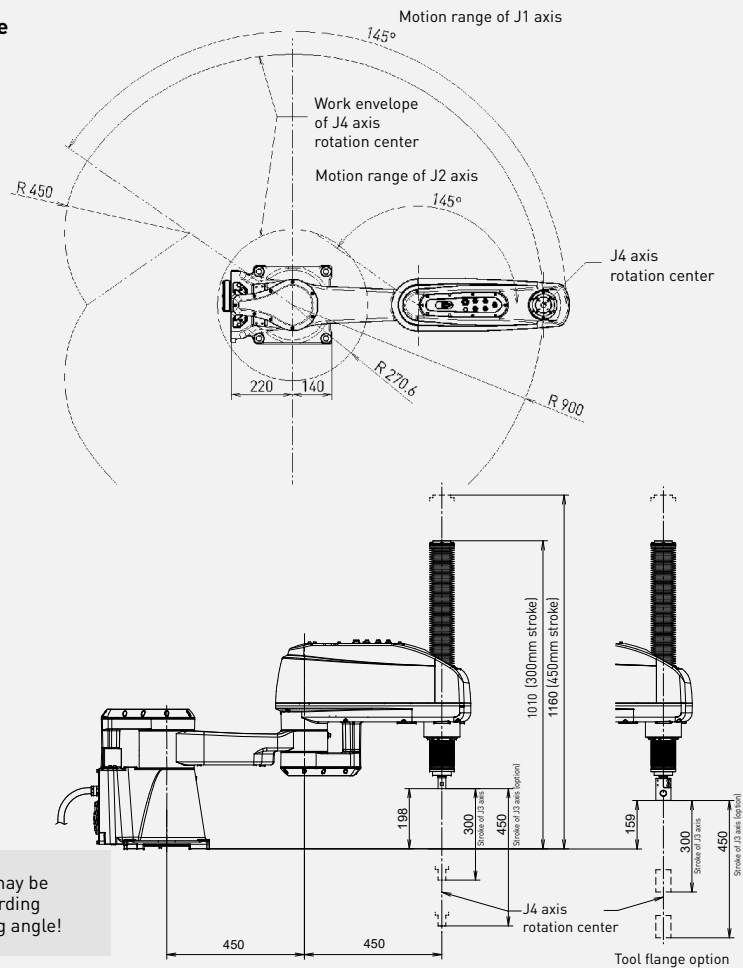
Max. load capacity  
at wrist: **12 kg**



Max. reach:  
**900 mm**

Controlled axes	Repeatability (mm)	Mechanical weight (kg)	Motion range (°)						Maximum speed (°/s)						J4 Inertia (kgm <sup>2</sup> )	J5 Inertia (kgm <sup>2</sup> )	J6 Inertia (kgm <sup>2</sup> )
			J1	J2	J3	J4	J5	J6	J1	J2	J3	J4	J5	J6			
4	±0.01 (J1,J2), ±0.01 (J3), ±0.005° (J4)	56	290	290	450/ 300mm*	1440/ endless <sup>1)</sup>	-	-	440	510	2800 mm/sec	2500	-	-	0.30	-	-

## Working range



Motion range may be restricted according to the mounting angle!



## Robot

	SR-12iA/C
Robot footprint [mm]	280 x 360 (497)
Mounting position Floor	•
Mounting position Ceiling	-
Mounting position Angle	-
Mounting position Wall	•



## Controller

	R-30iB Plus
Compact Plus	•
iPendant Touch	○

## Electrical connections

Voltage 50/60Hz 3phase [V]	-
Voltage 50/60Hz 1phase [V]	200-230
Average power consumption [kW]	0.5

## Integrated services

Integrated signals on upper arm In/Out	4/4
Integrated air supply	2
Integrated solenoid valve	2

## Environment

Acoustic noise level [dB]	<70
Ambient temperature [° C]	0-45

## Protection

Body standard/optional	IP65
Wrist & J3 arm standard/optional	IP65
Cleanroom class (ISO Class 5)	•

## Auxiliary

Max. push-down force (Newton)	250
-------------------------------	-----

## Food grade / mechanical options

Food grade grease	•
White epoxy paint	•

1) Continuous rotation available as option

• standard ○ on request - not available ( ) with hardware and/or software option \* optional