

M-10iA/12S (Short arm, Hollow wrist)



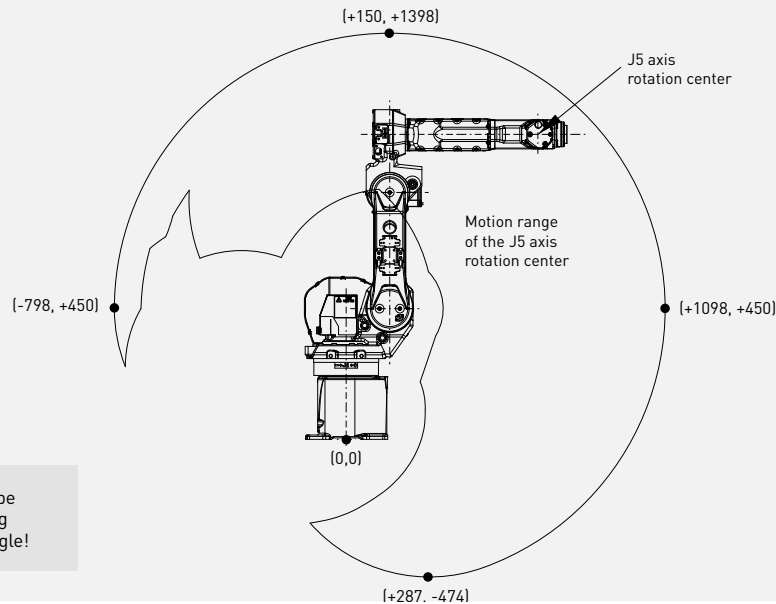
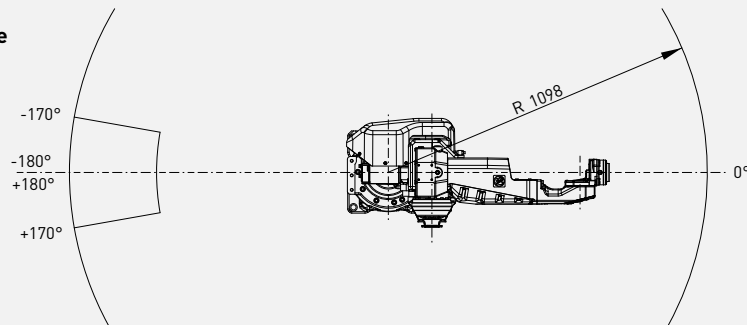
Max. load capacity
at wrist: **12 kg**



Max. reach:
1098 mm

Controlled axes	Repeatability (mm)	Mechanical weight (kg)	Motion range (°)							Maximum speed (°/s)							J4 Moment/ Inertia (Nm/kgm ²)	J5 Moment/ Inertia (Nm/kgm ²)	J6 Moment/ Inertia (Nm/kgm ²)
			J1	J2	J3	J4	J5	J6	E1	J1	J2	J3	J4	J5	J6	E1			
6	± 0.05	130	340(360)	250	340	380	380	720	-	260	280	315	430	430	630	-	22.0/0.65	22.0/065	9.8/0.17

Working range



Motion range may be restricted according to the mounting angle!



Robot

Robot	M-10iA/12S
Robot footprint [mm]	283 x 283
Mounting position Floor	●
Mounting position Upside down	●
Mounting position Angle	●



Controller

Controller	R30iB
Open air cabinet	-
Mate cabinet	○
A-cabinet	●
B-cabinet	○
iPendant Touch	●

Electrical connections

Voltage 50/60Hz 3phase [V]	380-575
Voltage 50/60Hz 1phase [V]	-
Average power consumption [kW]	1

Integrated services

Integrated signals on upper arm In/Out	8/8
Integrated air supply	1

Environment

Acoustic noise level [dB]	< 70
Ambient temperature [° C]	0-45

Protection

Body standard/optional	IP54/IP55
Wrist & J3 arm standard/optional	IP67

● standard ○ on request - not available () with hardware and/or software option