

# High-speed and high-payload robot for the food industry

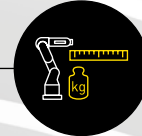
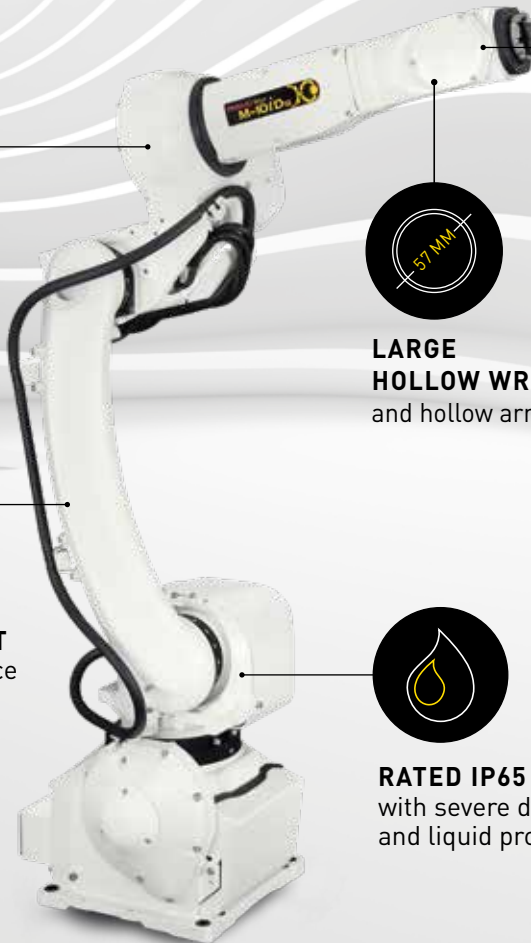
## M-10iD/12 (Food grade)



**NSF-H1 FOOD  
GRADE LUBRICANT**  
for food handling  
applications



**FULLY INTEGRATED  
CABLE MANAGEMENT**  
to eliminate interference



**12 KG PAYLOAD  
AND 1441 MM REACH**  
for a wider range  
of applications



**LARGE  
HOLLOW WRIST**  
and hollow arm



**RATED IP65**  
with severe dust  
and liquid protection

### The compact solution for maximum performance

- NSF-H1 food grade lubricant and anti-rust bolts
- Featuring a white epoxy coating and IP65 body protection as standard
- Severe dust and liquid protection, including J1/J2/J3 cover and antirust treatment
- Stainless steel flange
- Slim and lightweight design to increase productivity

# M-10iD/12 (Food grade)

Max. load capacity  
at wrist: **12 kg**

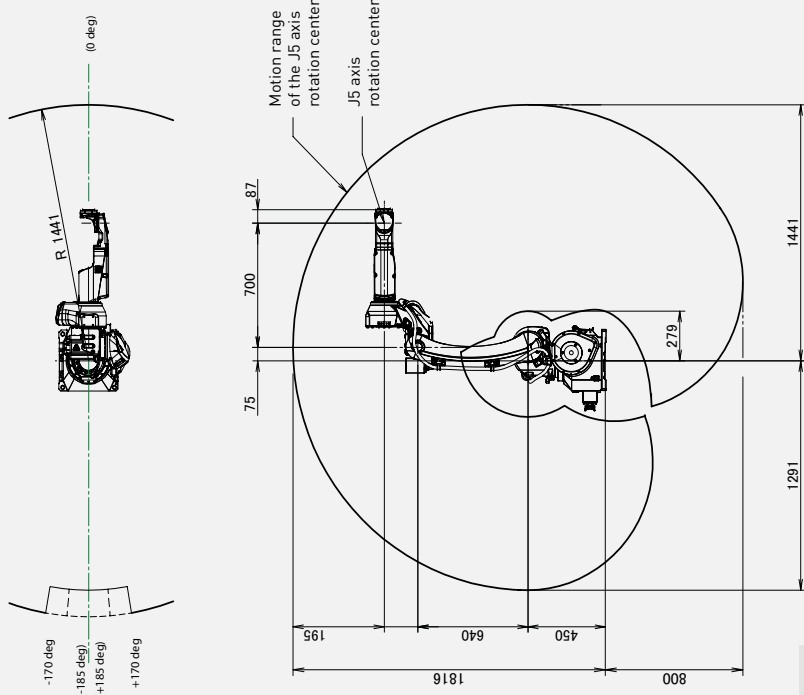


Max. reach:  
**1441 mm**



Controlled axes	Repeatability (mm)	Mechanical weight (kg)	Motion range [°]						Maximum speed [%/s]						J6 Moment/Inertia (Nm/kgm <sup>2</sup> )	J5 Moment/Inertia (Nm/kgm <sup>2</sup> )	J6 Moment/Inertia (Nm/kgm <sup>2</sup> )
			J1	J2	J3	J4	J5	J6	J1	J2	J3	J4	J5	J6			
6	± 0.02*	145	340 (370)	235	455	380	360	900	260	240	260	430	450	720	26.0/0.90	26.0/0.90	11.0/0.30

## Working range



Motion range may be restricted according to the mounting angle!

## Robot

- Robot footprint [mm] ..... 343 x 343
- Mounting position Floor
- Mounting position Upside down
- Mounting position Angle

## Controller

- Open air cabinet
- Mate cabinet
- A-cabinet
- B-cabinet
- Pendant Touch

## Electrical connections

- Voltage 50/60Hz 3phase [V] ..... 380-575
- Voltage 50/60Hz 1phase [V] ..... -
- Average power consumption [kW] ..... 1

## Integrated services

- Integrated signals on upper arm In/Out ..... 8/8
- Integrated air supply ..... 1

## Environment

- Acoustic noise level [dB] ..... < 70
- Ambient temperature [° C] ..... 0-45

## Protection

- Body standard/optional ..... IP65
- Wrist & J3 arm standard/optional ..... IP67

● standard ○ on request - not available ( ) with hardware and/or software option \*Based on ISO9283