

FANUC

Extremely flexible, slim and lightweight

NEW Paint Robot P-40iA



PURGED AND PRESSURISED ARM
FM AND ATEX CLASS DIV. 1 APPROVAL



FOUR PROCESS AIR PORTS



IP 67 COMPATIBLE



ENCLOSED RISER
FOR CABLE CONNECTIONS
AND PURGE FLOW SWITCH



360 DEGREES ROTATION OF J1
ENABLES MULTI-DIRECTIONS OPERATION



Flexible painter even in smallest work space

- compact arm design fits in small work areas
- offers a 1300mm reach and 5kg payload
- purged and pressurised arm is FM and ATEX Class Div. 1 approved
- enclosed riser for cable connections and purge flow switch
- high-speed operation minimises robot cycle times
- upright, invert, angle or wall mounting accommodates a wide range of work areas
- 360 degrees rotation of J1 enables multi-directions operation
- IP67 compatible rating allows operation in factory environments with dust and oil mist

WWW.FANUC.EU

P-40iA



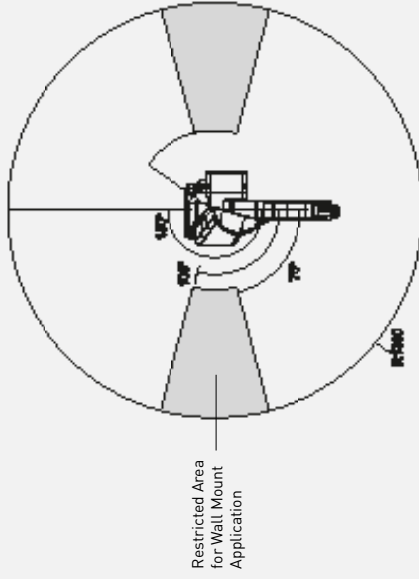
Max. load capacity
at wrist: **5 kg**



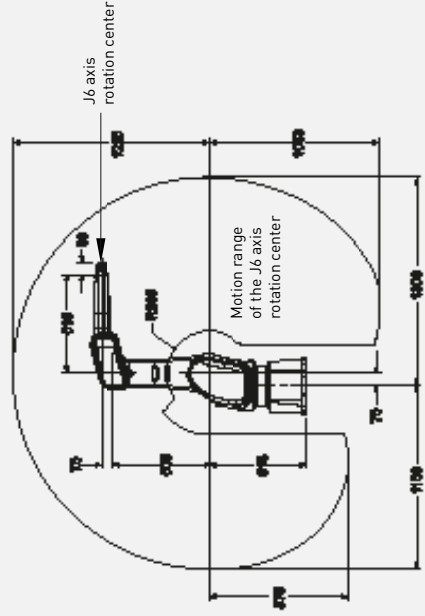
Max. reach:
1300 mm

Controlled axes	Repeatability (mm)	Mechanical weight (kg)	Motion range [°]						Maximum speed [%/s]						J4 Moment/Inertia (Nm/kgm ²)	J5 Moment/Inertia (Nm/kgm ²)	J6 Moment/Inertia (Nm/kgm ²)
			J1	J2	J3	J4	J5	J6	J1	J2	J3	J4	J5	J6			
6	± 0.03	110	360	255	395	380	240	720	190	240	450	450	720	11.9/0.3	11.9/0.3	6.7/0.1	

Working range



Restricted Area for Wall Mount Application



Motion range may be restricted for angle and wall mount!



Robot

Robot footprint [mm]	P-40iA
	340 x 355
Mounting position	•
Floor	•
Invert	•
Wall	•
Angle	•

Controller

Open air cabinet	-
Mate cabinet	•
A-cabinet	-
B-cabinet	-
Pendant	•
ISTP option	-

R-30iB Plus

Electrical connections	
Voltage 50/60Hz 3 phase [V]	200-230
Voltage 50/60Hz 1 phase [V]	-
Average power consumption [kW]	0.8

Integrated services

Integrated signals on upper arm In/Out	-
Integrated air supply	-

Environment

Acoustic noise level [dB]	
Ambient temperature [° C]	0-45

Protection

Hazardous location certification	*5
----------------------------------	----

*5) ATEX certified Cat. II Group 2G and 2D

• standard ◦ on request - not available () with hardware and/or software option